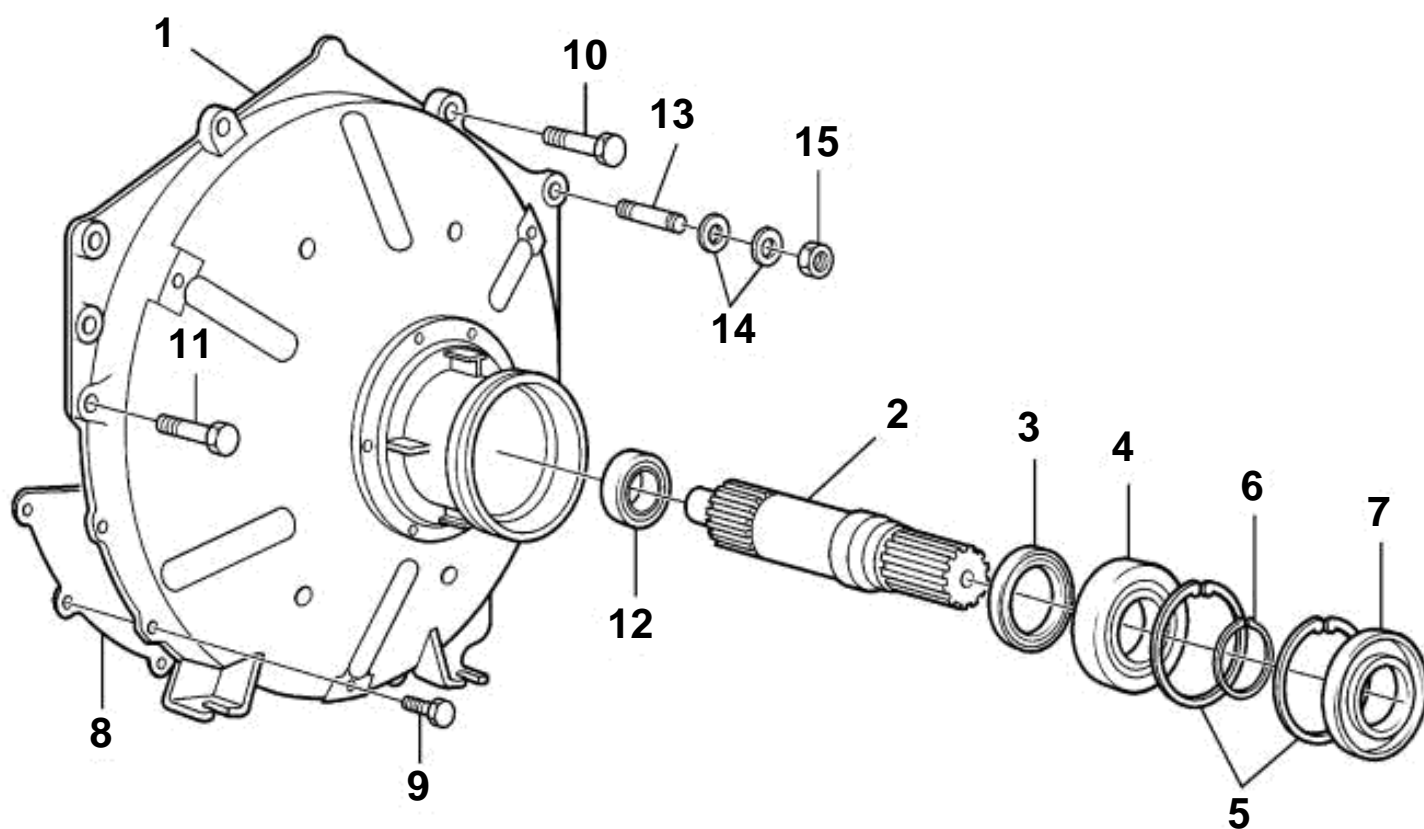


FLYWHEEL CASING & PRIMARY SHAFT, 290 DP



FLYWHEEL CASING & PRIMARY SHAFT, 290 DP

REF	PART NO.	QTY	DESCRIPTION	NOTES
1	3856699	1	Flywheel housing	
	3856001	2	· Pin, Flywheel housing	Not shown; INCC, PNCB, PNCBCE only
2	873013	1	Primary shaft	
3	958859	1	Sealing ring	
4	3851019	1	Ball bearing	
5	3850715	2	Snap ring	
6	3850709	1	Lock ring	
7	958860	1	Sealing ring	
8	854939	1	Cover plate	
9	947224	5	Screw	
10	3853547	2	Screw	
11	3850753	2	Screw	
12	856917	1	Bearing	
13	3850571	2	Stud	
14	3852058	2	Washer	
	3852002	2	Lock washer	
15	3852065	2	Nut	